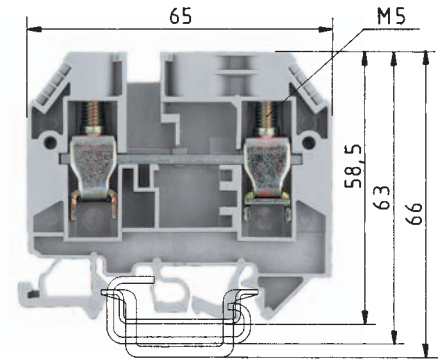
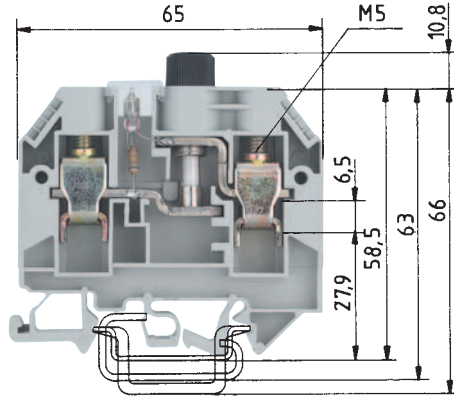
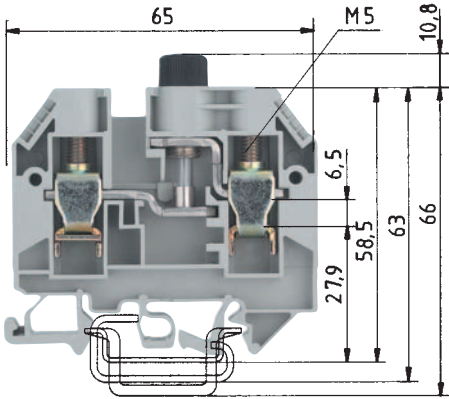


Fuse blocks with U-foot, type WK

Type	Overload protection		Exclusive short-circuit protection	
	Single arrangement	Group arrangement	Single arrangement	Group arrangement
WK 10 Si U 5x20	4.0W/6.3A	2.5W/6.3A	4.0W/6.3A	4.0W/6.3A
WK 10 Si U 6.3x32	4.0W/10A	2.5W/2.5A	4.0W/10A	2.5W/2.5A
WK 10 Si U 5x25	4.0W/6.3A	2.5W/6.3A	4.0W/6.3A	4.0W/6.3A
WK 10 Si U 5x30	4.0W/6.3A	2.5W/6.3A	4.0W/6.3A	4.0W/6.3A



*1) Voltage and current are determined by the built-in LED and the inserted G-fuse.

*1) Voltage and current are determined by the built-in indicator and the inserted G-fuse.

WK 10/Si ... /U

	fine-stranded	solid/stranded	V	A
	1 - 10 mm ²	1.0 - 16 mm ²	500 V/6 kV/3*)	10*)
	No. 22-6 AWG		600 V*)	15
	No. 16-6 AWG		600 V*)	max. 15
	12 mm			13 mm



WK 10/Si ... /U with indicator

	fine-stranded	solid/stranded	V	A
	1 - 10 mm ²	1.0 - 16 mm ²	500 V/6 kV/3*)	max.10*)
	No. 22-6 AWG		600 V*)	15
	No. 16-6 AWG		600 V*)	max. 15
	12 mm			13 mm



WK 10/Si U D

	fine-stranded	solid/stranded	V	A
	1 - 10 mm ²	1.0 - 16 mm ²	500 V/6 kV/3	57
	No. 22-6 AWG		600 V	50
	No. 16-6 AWG		600 V	65
	12 mm			13 mm



Type	Part No.	Std. Pack	Type	Part No.	Std. Pack	Type	Part No.	Std. Pack
WK 10/Si U 5 x 20	57.910.5055.0	50	WK 10/Si U 5x20M, NGL	57.910.5455.0	50			
WK 10/Si U 5 x 25	57.910.5155.0	50	WK 10/Si U 5x20M, GLB	57.910.5855.0	50			
WK 10/Si U 5 x 30	57.910.5255.0	50	WK 10/Si U 6,3x32M, NGL	57.910.5755.0	50			
WK 10/Si U 6,3 x 32	57.910.5355.0	50	WK 10/Si U 6,3x32M, GLB	57.910.6155.0	50	WK 10/Si U D	57.910.4955.0	50
35 x 27 x 7,5 EN 60715	98.300.0000.0	1	35 x 27 x 7,5 EN 60715	98.300.0000.0	1	35 x 27 x 7,5 EN 60715	98.300.0000.0	1
35 x 24 x 15 EN 60715	98.360.0000.0	1	35 x 24 x 15 EN 60715	98.360.0000.0	1	35 x 24 x 15 EN 60715	98.360.0000.0	1
9006 EN 60715 G-32	98.190.0000.0	1	9006 EN 60715 G-32	98.190.0000.0	1	9006 EN 60715 G-32	98.190.0000.0	1
WE 1/U	Z5.523.5753.0	100	WE 1/U	Z5.523.5753.0	100	WE 1/U	Z5.523.5753.0	100
9708/2 S 35	Z5.522.8553.0	100	9708/2 S 35	Z5.522.8553.0	100	9708/2 S 35	Z5.522.8553.0	100
9708	Z5.522.7053.0	100	9708	Z5.522.7053.0	100	9708	Z5.522.7053.0	100
AP 10/Si	07.311.4155.0	10	AP 10/Si	07.311.4155.0	10	AP 10/Si	07.311.4155.0	10
VB WK 10/Si-2	Z7.287.0227.0	10	VB WK 10/Si-2	Z7.287.0227.0	10	VB WK 10/Si-2	Z7.287.0227.0	10
VB WK 10/Si-3	Z7.287.0327.0	10	VB WK 10/Si-3	Z7.287.0327.0	10	VB WK 10/Si-3	Z7.287.0327.0	10
VB WK 10/Si-6	Z7.287.0627.0	10	VB WK 10/Si-6	Z7.287.0627.0	10	VB WK 10/Si-6	Z7.287.0627.0	10
	04.312.2056.0	100		04.312.2056.0	100		04.312.2056.0	100
*)	VDE	CSA	UL	*)	VDE	CSA	UL	
57.910.5055.0	250 V ~	600 V	600 V	57.910.5455.0	110 - 250 V ~	500 V	150 V	
					Indicator red			
					Current consumed 0.16 - 0.8 mA			
57.910.5155.0	250 V ~	600 V	600 V	57.910.5855.0	28 V ~	28 V	28 V	
					Indicator yellow			
					Current consumed 24 mA			
57.910.5255.0	500 V ~	600 V	600 V	57.910.5755.0	110 - 500 V ~	500 V	150 V	
					Indicator red			
					Current consumed 0.6 - 0.8 mA			
57.910.5355.0	500 V ~	600 V	600 V	57.910.6155.0	28 V ~	28 V	28 V	
					Indicator yellow			
					Current consumed 24 mA			
Screw cap made from thermoset type 131 and silver-plated brass								

